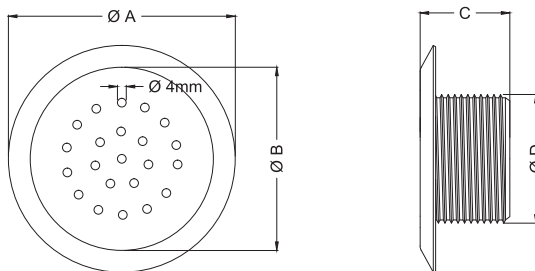




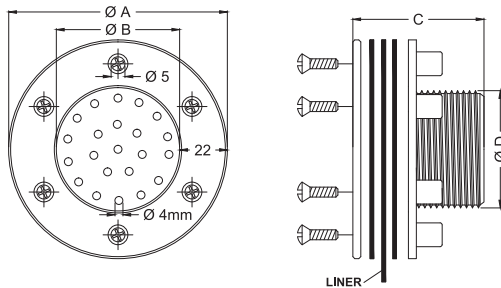
AIR INLETS - FIXED AND DRILLED

Ⓞ AISI 316L-V4A stainless steel air inlets on wall, fixed and drilled. Mirror polishing.

CODE 17070-17072



CODE 17071-17073



Code	ØA mm	ØB mm	C mm	ØD inch	Range mc/h
17070	98	85	42	2" - M	25
17071	106	62	50	2" - M	25
17072	76	67	43	1"1/2-M	18
17073	90	/	50	1"1/2-M	18

Fresh water

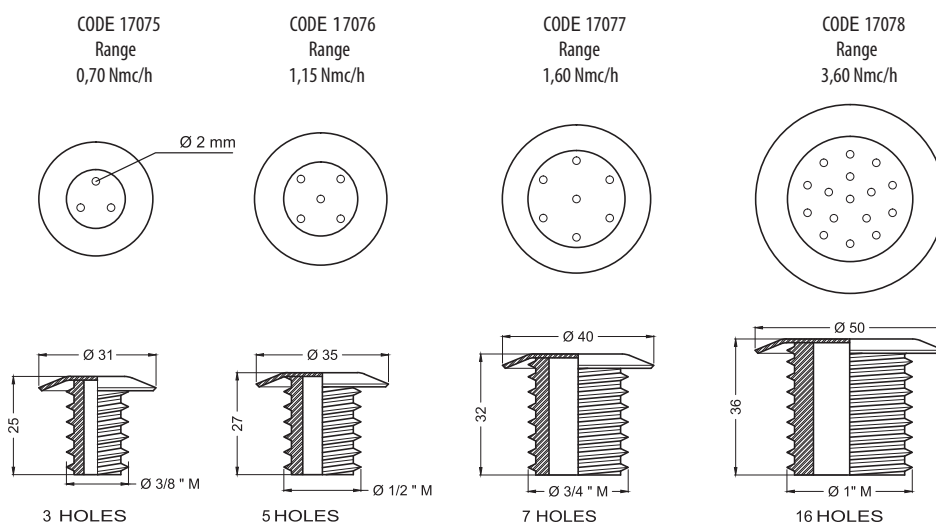
Code	Description
17070	2" - M Concrete
17071	2" - M LINER
17072	1"1/2-M Concrete
17073	1"1/2-M LINER

Salt water

Code	Description
17070S	2" - M Concrete
17071S	2" - M LINER
17072S	1"1/2-M Concrete
17073S	1"1/2-M LINER

SMALL AIR INLETS - FIXED AND DRILLED

Ⓞ Small AISI 316L-V4A stainless steel air inlets. Only for concrete. Mirror polishing.



Fresh water

Code	Description
17075	3/8" M
17076	1/2" M
17077	3/4" M
17078	1" M

Salt water

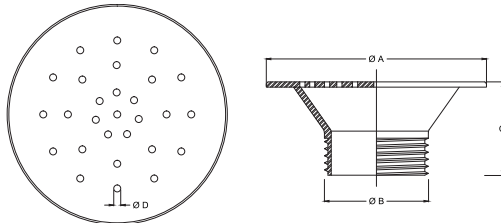
Code	Description
17075S	3/8" M
17076S	1/2" M
17077S	3/4" M
17078S	1" M

AIR INLETS - FIXED AND DRILLED

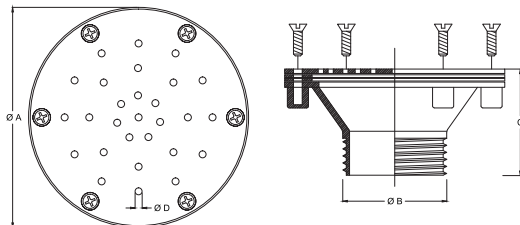
Ⓒ AISI 316L-V4A stainless steel air inlets, fixed and drilled. Mirror polishing.



CODE 17035-17037



CODE 17036-17038



Code	ØA	ØB	C	ØD	Range 1 bar mc/h
	mm	Inch - M		inch	
17035	125	2" - M	55	3	30
17036	125	2" - M	60	3	30
17037	165	3" - M	55	3	45
17038	165	3" - M	60	3	45

Fresh water

Code	Description
17035	2" M - C.A. / Concrete / B.A
17036	2" M - LINER
17037	3" M - C.A. / Concrete / B.A
17038	3" M - LINER