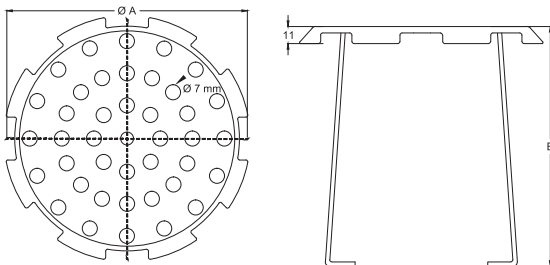


FLOOR DRAINS FOR OVERFLOW CHANNEL

Ⓞ AISI 316L-V4A stainless steel drain for fixing. Mirror polishing.



| Code | ØA mm | B mm | ØC | | Range m ³ /h |
|-------|----------|---------|---------------|------------|----------------------------|
| | | | DA-FROM mm | A-TO mm | |
| 17090 | 110 | 112 | 63 | 75 | 25 |
| 17091 | 130 | 112 | 90 | 110 | 40 |

Fresh water

| Code | Description |
|-------|-------------|
| 17090 | Ø 63 / 75 |
| 17091 | Ø 90 / 110 |

Salt water

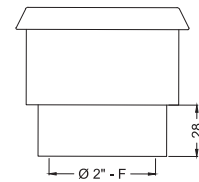
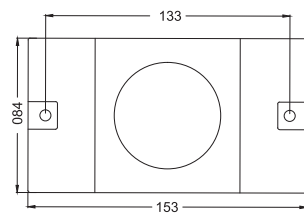
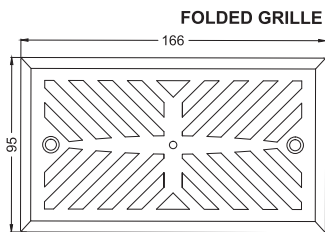
| Code | Description | Euo |
|--------|-------------|-----|
| 17090S | Ø 63 / 75 | |
| 17091S | Ø 90 / 110 | |

FLOOR DRAINS FOR OVERFLOW CHANNEL

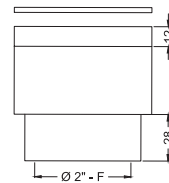
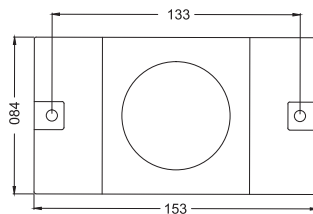
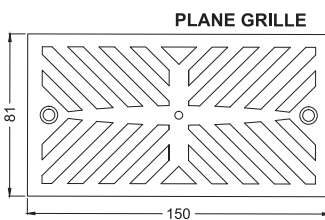
Ⓞ AISI 316L-V4A stainless steel floor drain for overflow channel. Mirror polishing.



CODE 17092



CODE 17093



Fresh water

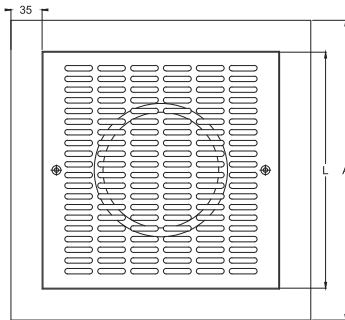
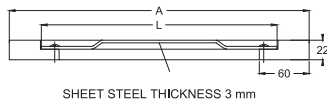
| Code | Description |
|-------|-------------------------------|
| 17092 | bent - C.A. / Concrete / B.A. |
| 17093 | flat - C.A. / Concrete / B.A. |
| 17094 | bent - LINER |

STANDARD FLOOR GRIDS / BONDES DE FOND STANDARD

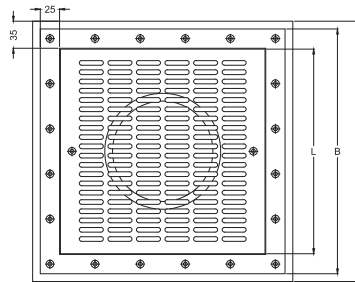
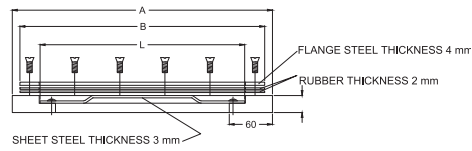
Ⓞ AISI 316L-V4A stainless steel STANDARD bottom grid. Mirror polishing.



CODE 32100/32101/32102/32103/32104



CODE 32100L/32101L/32102L/32103L/32104L



| Code | A | L | Range |
|-------|---------|---------|-------|
| | mm | mm | mc/h |
| 32100 | 280x280 | 200x200 | 17 |
| 32101 | 325x325 | 250x250 | 28 |
| 32102 | 380x380 | 300x300 | 39 |
| 32103 | 480x480 | 400x400 | 69 |
| 32104 | 500x500 | 450x450 | 108 |

| Code | A | L | B | Range |
|--------|---------|---------|---------|-------|
| | mm | mm | mm | mc/h |
| 32100L | 280x280 | 200x200 | 260x260 | 17 |
| 32101L | 325x325 | 250x250 | 305x305 | 28 |
| 32102L | 380x380 | 300x300 | 360x360 | 39 |
| 32103L | 480x480 | 400x400 | 460x460 | 69 |
| 32104L | 500x500 | 450x450 | 560x560 | 108 |

Fresh water

| Code | Description | | |
|-------|--------------|--|--|
| 32100 | 200 x 200 mm | | |
| 32101 | 250 x 250 mm | | |
| 32102 | 300 x 300 mm | | |
| 32103 | 400 x 400 mm | | |
| 32104 | 500 x 500 mm | | |

Salt water

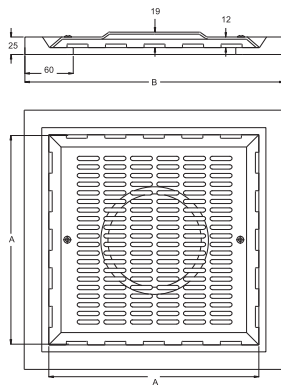
| Code | Description | | |
|--------|--------------|--|--|
| 32100S | 200 x 200 mm | | |
| 32101S | 250 x 250 mm | | |
| 32102S | 300 x 300 mm | | |
| 32103S | 400 x 400 mm | | |

FLOOR GRIDS COMPLIANT WITH DIN STANDARDS

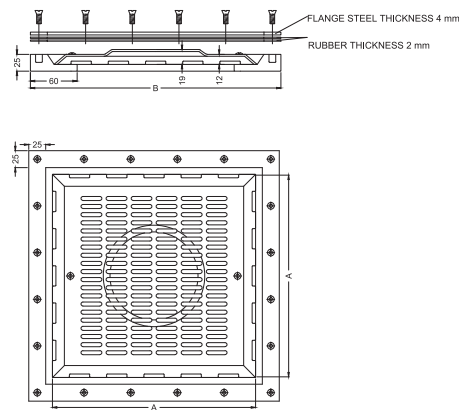
Ⓞ AISI 316L-V4A stainless steel bottom grid COMPLIANT WITH DIN STANDARDS. Mirror polishing.



CODE 32112/32113



CODE 32113L/32114L/32115L



| Code | A | B | Range |
|--------------|-----|-----|-------|
| | mm | mm | mc/h |
| 32112 | 195 | 255 | 18 |
| 32113 | 295 | 355 | 40 |
| 32114 | 395 | 455 | 80 |
| 32115 | 495 | 555 | 140 |

| Code | A | B | Range |
|---------------|-----|-----|-------|
| | mm | mm | mc/h |
| 32113L | 295 | 355 | 40 |
| 32114L | 395 | 455 | 80 |
| 32115L | 495 | 555 | 140 |

Fresh water

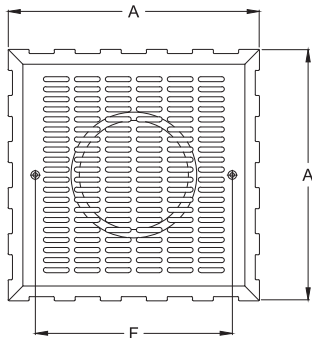
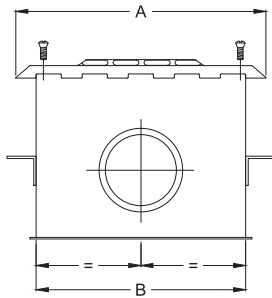
| Code | Description | | |
|--------------|--------------|--|--|
| 32112 | 250 x 250 mm | | |
| 32113 | 300 x 300 mm | | |
| 32114 | 400 x 400 mm | | |
| 32115 | 500 x 500 mm | | |

Salt water

| Code | Description | | |
|---------------|--------------|--|--|
| 32113S | 300 x 300 mm | | |
| 32114S | 400 x 400 mm | | |

SQUARE FLOOR WELLS / BONDES DE FOND

Ⓞ AISI 316L-V4A stainless steel SQUARE bottom well with AISI 316L stainless steel cover. Upper mirror polished grid. For Concrete.



| Code | Type | A | B | C | D | ØE | F | Range |
|-------|---------|-----|-----|-----|-----|-----------|-----|--------|
| | mm | mm | mm | mm | mm | DN/inches | mm | mc/h |
| 20101 | 200x200 | 250 | 200 | 115 | 170 | Ø 2"-F | 176 | 21,71 |
| 20103 | 250x250 | 300 | 250 | 150 | 225 | Ø 3"-F | 225 | 37,21 |
| 20105 | 300x300 | 350 | 300 | 200 | 285 | Ø 4"-F | 285 | 59,54 |
| 20112 | 400x400 | 450 | 400 | 245 | 395 | DN 125 | 385 | 78,14 |
| 20114 | 450x450 | 500 | 450 | 275 | 450 | DN 150 | 435 | 133,96 |

Fresh water

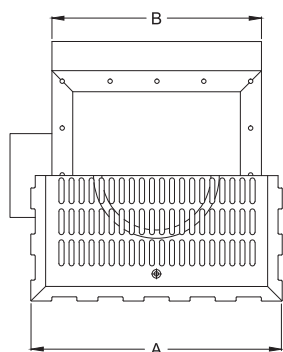
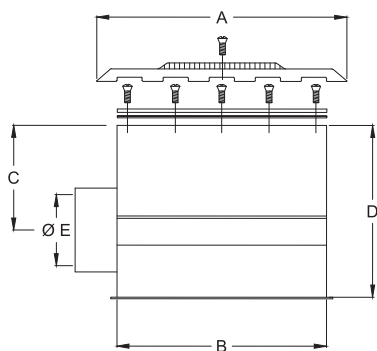
| Code | Description |
|-------|--------------|
| 20101 | 200 x 200mm |
| 20103 | 250 x 250mm |
| 20105 | 300 x 300mm |
| 20112 | 400 x 400 mm |
| 20114 | 450 x 450 mm |

Salt water

| Code | Description |
|--------|-------------|
| 20101S | 200 x 200mm |
| 20105S | 300 x 300mm |

SQUARE FLOOR WELLS

Ⓒ AISI 316L-V4A stainless steel SQUARE bottom well with AISI 316L stainless steel cover. Upper mirror polished grid. For LINER.



| Code | Type | A | B | C | D | ØE | F | Range |
|-------|---------|-----|-----|-----|-----|-----------|-----|--------|
| | mm | mm | mm | mm | mm | DN/inches | mm | mc/h |
| 20102 | 200x200 | 250 | 200 | 115 | 170 | Ø 2"-F | 176 | 21,71 |
| 20104 | 250x250 | 300 | 250 | 150 | 225 | Ø 3"-F | 225 | 37,21 |
| 20106 | 300x300 | 350 | 300 | 200 | 285 | Ø 4"-F | 285 | 59,54 |
| 20113 | 400x400 | 450 | 400 | 245 | 395 | DN 125 | 385 | 78,14 |
| 20115 | 450x450 | 500 | 450 | 275 | 450 | DN1 50 | 435 | 133,96 |

Fresh water

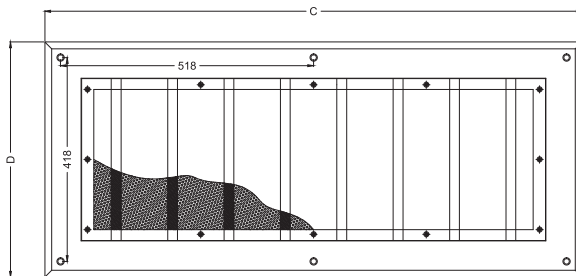
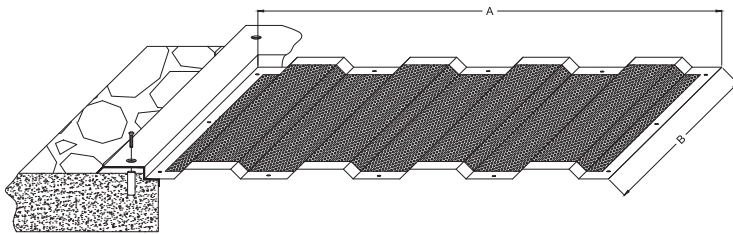
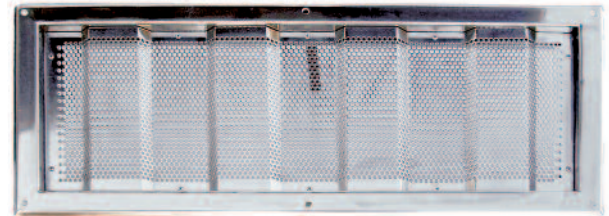
| Code | Description |
|-------|--------------|
| 20102 | 200 x 200mm |
| 20104 | 250 x 250mm |
| 20106 | 300 x 300mm |
| 20113 | 400 x 400 mm |
| 20115 | 450x450 mm |

Salt water

| Code | Description |
|--------|-------------|
| 20102S | 200 x 200mm |
| 20106S | 300 x 300mm |

WALL-MOUNTED SAFETY GRIDS

Ⓒ AISI 316-V4A steel RECTANGULAR wall-mounted safety grid. Four Concrete.



| Code | A | B | C | D | Flow |
|-------|-----|-----|------|-----|------|
| | mm | mm | mm | mm | mc/h |
| 17700 | 723 | 330 | 871 | 478 | 190 |
| 17800 | 948 | 330 | 1096 | 478 | 250 |

Fresh water

| Code | Description |
|-------|--------------|
| 17700 | 330 x 720 mm |
| 17800 | 330 x 950 mm |

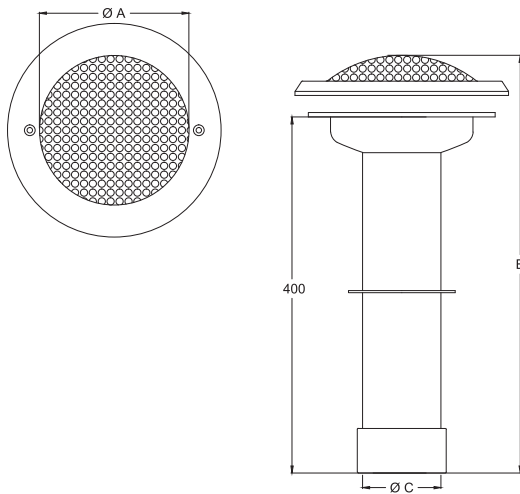
PRESE DI ASPIRAZIONE SUCTION INTAKES / PRISES D'ASPIRATION

Presse di aspirazione con tronchetto passante in acciaio inox AISI 316L-V4A. Per C.A..

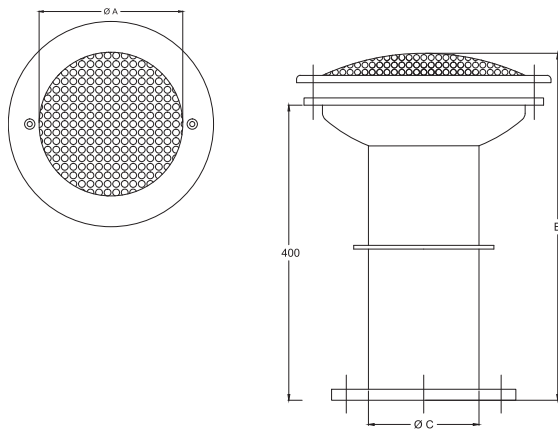
Ⓖ AISI 316L - V4A stainless steel suction intake with AISI 316L-V4A stainless steel feed-through socket. For Concrete.

Ⓕ Prise d'aspiration avec traversée de paroi en inox AISI 316L-V4A - Pour B.A..

CODE 17140-17141



CODE 17142-17143



| Code | ØA | B | ØC | Range |
|-------|-----|-----|--------|-------|
| | mm | mm | Inch | mc/h |
| 17140 | 168 | 445 | 3" F | 45 |
| 17141 | 220 | 450 | 4" F | 60 |
| 17142 | 273 | 445 | DN 125 | 80 |
| 17143 | 320 | 450 | DN 150 | 100 |

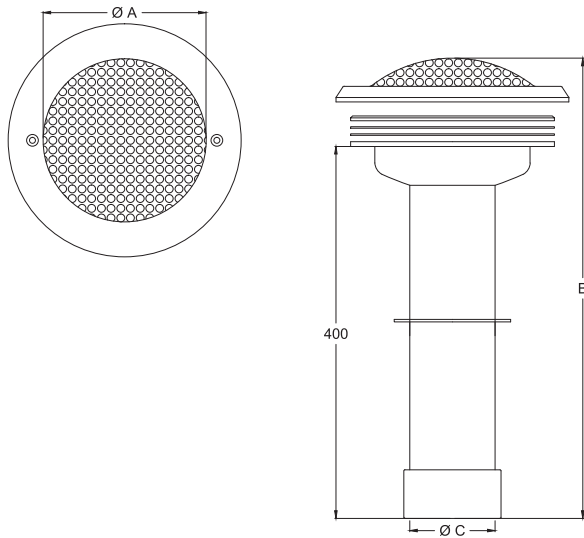
Fresh water

| Code | Description |
|-------|----------------------|
| 17140 | Threaded 3" - Ø 168 |
| 17141 | Threaded 4" - Ø 220 |
| 17142 | Flanged DN 125 Ø 273 |
| 17143 | Flanged DN 150 Ø 320 |

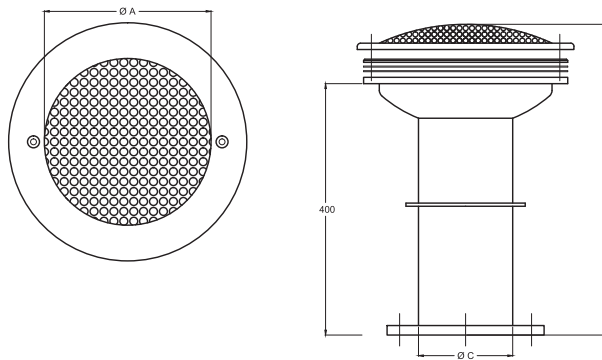
SUCTION INTAKES

Ⓞ AISI 316L - V4A stainless steel suction intake with AISI 316L-V4A stainless steel feed-through socket. For Liner.

CODE 17154



CODE 17156 - 17157



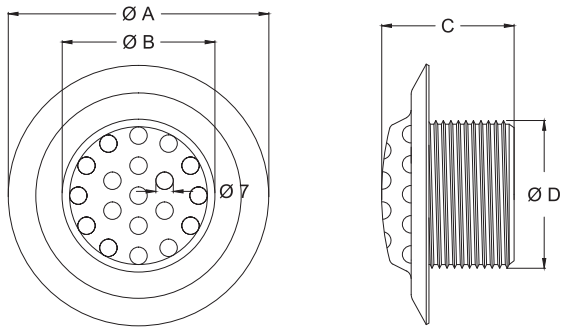
| Code | ØA mm | B mm | ØC Inch | Range mc/h |
|-------|----------|---------|------------|---------------|
| 17154 | 168 | 445 | 3" F | 45 |
| 17155 | 220 | 450 | 4" F | 60 |
| 17156 | 273 | 445 | DN 125 | 80 |
| 17157 | 320 | 450 | DN 150 | 100 |

Fresh water

| Code | Description |
|-------|----------------------|
| 17154 | Threaded 3" - Ø 168 |
| 17155 | Threaded 4" - Ø 220 |
| 17156 | Flanged DN 125 Ø 273 |
| 17157 | Flanged DN 150 Ø 320 |

SUCTION INTAKES FOR FOUNTAINS PRISES

Ⓞ AISI 316L - V4A Stainless Steel Suctions for waterfalls - threaded. thread. For Concrete, mirror polishing.



| Code | ØA | ØB | C | ØD | Flow |
|-------|-----|-----|----|--------|------|
| | mm | mm | | inch | |
| 17129 | 104 | 61 | 50 | 2" - M | 6 |
| 17130 | 143 | 95 | 56 | 3" - M | 13,5 |
| 17131 | 155 | 110 | 68 | 4" - M | 21 |
| 17132 | 210 | 125 | 80 | 5" - M | 28,5 |

Fresh water

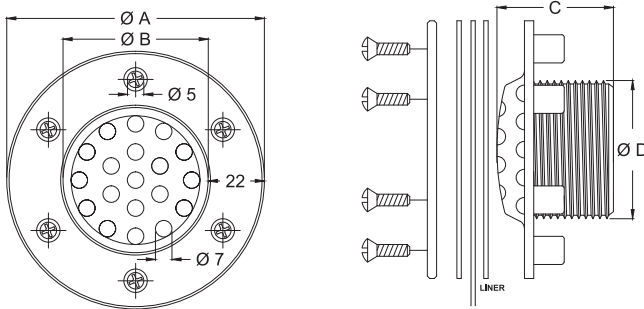
| Code | Description |
|-------|---------------|
| 17129 | Threaded M 2" |
| 17130 | Threaded M 3" |
| 17131 | Threaded M 4" |
| 17132 | Threaded M 5" |

Salt water

| Code | Description |
|--------|---------------|
| 17129S | Threaded M 2" |
| 17130S | Threaded M 3" |

SUCTION INTAKES FOR FOUNTAINS PRISES

Ⓒ AISI 316L - V4A stainless steel suction intake for fountains with thread. For LINER. Mirror polishing.



| Code | ØA | ØB | C | ØD | Flow |
|-------|-----|-----|----|--------|------|
| | mm | mm | | mm | |
| 17133 | 106 | 62 | 48 | 2" - M | 6 |
| 17135 | 144 | 90 | 58 | 3" - M | 13,5 |
| 17136 | 160 | 110 | 66 | 4" - M | 21 |
| 17137 | 210 | 130 | 74 | 5" - M | 28,5 |

Fresh water

| Code | Description |
|-------|---------------|
| 17133 | Threaded M 2" |
| 17135 | Threaded M 3" |
| 17136 | Threaded M 4" |
| 17137 | Threaded M 5" |

Salt water

| Code | Description |
|--------|---------------|
| 17133S | Threaded M 2" |
| 17135S | Threaded M 3" |